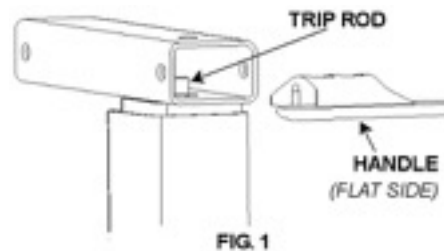


1005/1010/1100 OVERBED TABLE ASSEMBLY AND OPERATING INSTRUCTIONS

**READ INSTRUCTION SHEET CAREFULLY BEFORE
PROCEEDING!**



PARTS LIST

| | | | |
|----|------------------------------|-----|---------------------------------|
| 1: | 3/8-16 x 2" bolt (2) (#BT01) | 5: | Column Assembly |
| 2: | Bolt plate (#101023) | 6: | Release Lever (#101044) |
| 3: | 40mm caster (4) (1010324) | 7: | 1/4-20 nut (2) (#N01) |
| 4: | Base w/caster plugs | 8: | Top Bracket (#101019) |
| | | 9: | 1/4-20 x 2" bolt (#BT10) |
| | | 10: | Top 15" x 30" |
| | | 11: | 1/4-20 x 3/8 zinc screw (#SC12) |
| | | 12: | Optional vanity & mirror |

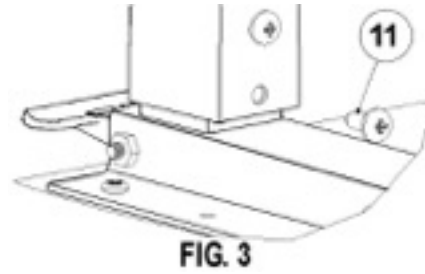
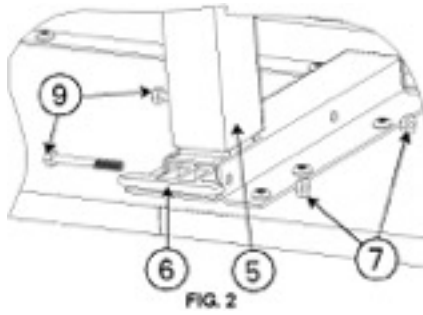
California Prop. 65
The items and packaging in this shipment contain chemicals known to the State of California to cause cancer, birth defects or other reproductive harm.
*This product meets or exceeds all federal safety and environmental regulations.

TOOLS

Phillips screwdriver
(2) 7/16" wrenches/ (1) 9/16" wrench

ASSEMBLY INSTRUCTIONS

- Stand the column on end as shown in *Fig. 1*. Be sure the release rod is visible in the rectangular tube, but not protruding out of the top. (If necessary, shake the column until the rod drops.) Insert release lever (6) into the column assembly (5) with the rounded side up. Be sure the release lever (6) rests on top of the rod inside the column!
- Place the top assembly (with the bracket upward) on the flat surface, then while holding the release lever in place (so it doesn't fall out), insert the column assembly (5) into the top bracket (8). Align the holes in the column and top bracket and install both bolts (9) and both nuts (7) in the holes and thru the release lever (6). *Fig. 2*
- Place base on the floor and install the four casters (3).
- Place two bolts (2) into the bolt plate (1). Place this assembly into the base. Hand tighten the bolts to the column (5).
- Align the base and top assembly by laying the table on its side, resting on the edge of the top and the black caster sockets. Tighten the bolts (1) with a 9/16" wrench.
- Stand the table on the casters.
- This step must be completed last to prevent spring loaded assembly damage.** Remove the black screw in the column and replace it with the zinc-plated screw (11), using a Phillips screwdriver. *Fig. 3*



OPERATION INSTRUCTIONS

- 1 – To raise the top to the desired height, apply pressure upward at any point under the top.
- 2 – To lower, squeeze the release lever (8) up towards the top and push the top down to the desired height.
- 3 – Occasional application of light oil lubrication between the inner and outer columns will help keep your Overbed Table operating smoothly.
Penetrating oils with rust inhibitors are recommended.

Rev. B 4/7/2016